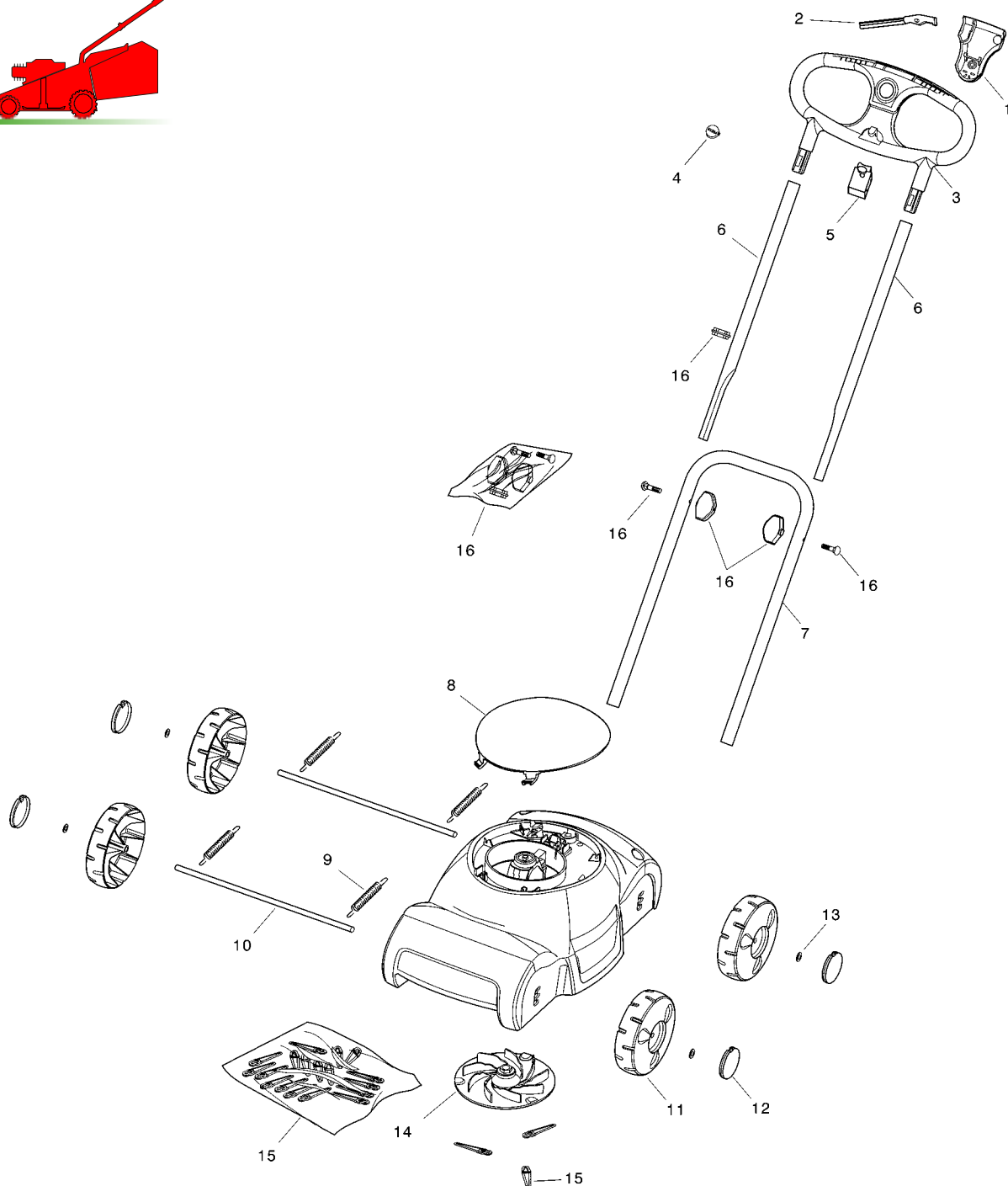


00D_D310



| Pos. | Code | Q.ty | Descrizione | Description | Description | Beschreibung | Remarks |
|------|------------|------|-------------------------|--------------------|-----------------------|------------------|---------|
| 1 | 22109534/0 | 1 | COPERCHIO, INTERRUPTORE | COVER, SWITCH | COUVERCLE, ITRRUPTEUR | DECKEL, SCHALTER | |
| 2 | 22321704/0 | 1 | LEVA, INTERRUPTORE | LEVER, SWITCH | LEVIER, INTERRUPTEUR | HEBEL, SCHALTER | |
| 3 | 22291040/0 | 1 | IMPUGNATURA MANICO | HANDGRIP | POIGNÉE | HANDGRIFF | |
| 4 | 22601085/0 | 1 | TAPPO | CAP | BOUCHON | GUMMISTOPFEN | |
| 5 | 18450069/0 | 1 | INTERRUPTORE | SWITCH | INTERRUPTEUR | SCHALTER | |
| 6 | 81006606/0 | 2 | MANICO SUPERIORE | HANDLE, UPPER PART | MANCHERON SUPERIEURE | HOLM, OBERTEIL | |
| 7 | 81006605/0 | 1 | MANICO INFERIORE | HANDLE, LOWER PART | MANCHERON INFERIEURE | HOLM, UNTERTEIL | |
| 8 | 22055089/0 | 1 | CAPOTTINA | COVER | CAPOT | HAUBE | |
| 9 | 22430320/0 | 4 | MOLLA | SPRING | RESSORT | FEDER | |
| 10 | 22033371/0 | 2 | COPRIMOZZO | HUB CAP | COUVRE-MOYEU | RADKAPPE | |
| 11 | 22686088/0 | 4 | RUOTA | WHEEL | ROUE | RAD | |



GLOBAL GARDEN PRODUCTS

| Pos. | Code | Q.ty | Descrizione | Description | Description | Beschreibung | Remarks |
|------|------------|------|--------------------|----------------|---------------------|-----------------|---------|
| 12 | 22110359/0 | 4 | COPRIMOZZO | HUB CAP | COUVRE-MOYEU | RADKAPPE | |
| 13 | 12604899/0 | 4 | FISSATORE A CORONA | CROWN FASTENER | FIXATEUR A COURONNE | KRONESCHEIBE | |
| 14 | 81245000/0 | 1 | GIRANTE | FAN | VENTILATEUR | LÜFTER | |
| 15 | 81008655/1 | 1 | DOTAZIONE LAME | OUTFIT, BLADES | DOTATION LAMES | SATZ, MESSER | (18) |
| 16 | 81008656/0 | 1 | DOTAZIONE VITERIA | OUTFIT, SCREWS | DOTATION VISSERIE | SATZ, SCHRAUBEN | |